

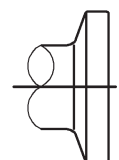
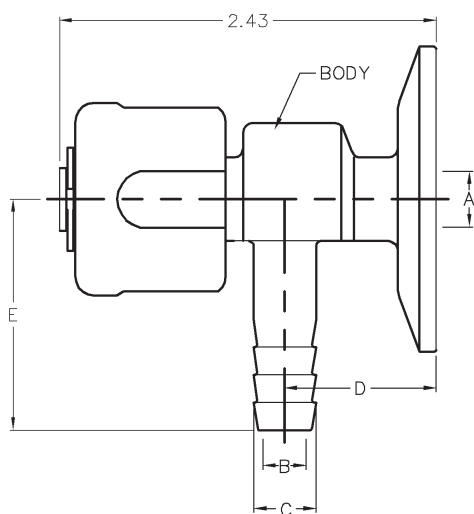
Businesses from food and beverage to pharmaceutical and cosmetics can now rely on us for their sampling needs.

Our sample valves are a hygienic valve for use in stainless steel process systems. These valves are simple, rugged and above all, dependable. Our sample valves are made from stainless steel and are available in various sizes, 1/2" to 4" offering clamp and NPT end configurations, others also available as special order.

we offer inline and angle valves with a smooth or barbed outlet depending on your need.

Economical sample valves are 100% factory tested for the extra security you require. Maintenance is easy using one of our Hygienic repair kits, quickly returning the valve to service.

316L Angle Sample Valve



FRACTIONAL TRICLAMP



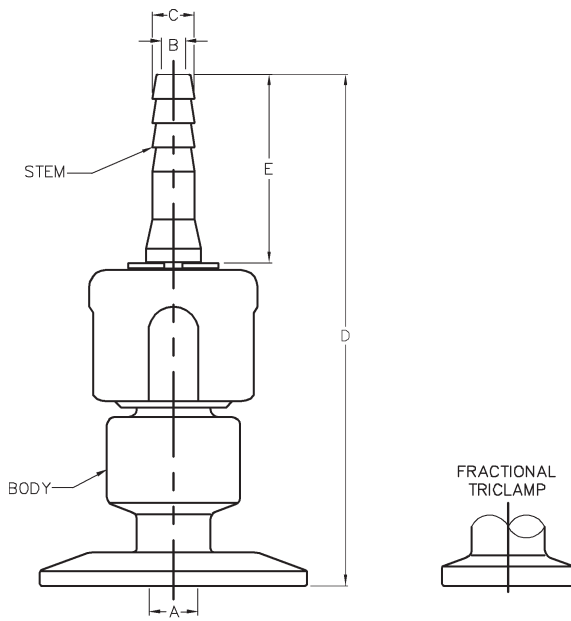
- all 316L stainless wetted part construction
- standard finish to 20 Ra ID / 32 Ra OD
- Viton® stem seal FDA approved
- fully traceable (material test reports)
- domed virgin Teflon® seat for positive closure
- tapered hygienic clamp connection prevents product back flow when installed in-line
- set screw stop prevents accidental removal of stem from valve body
- black nylon nut cover allows hand operation even with hot products
- minimal internal dead-leg area
- end connections available: clamp and butt weld
- sizes available: ½" thru 1½"
- temperature rating: 300° @ 200 PSI

| SIZE | | PART NUMBER | DIMENSIONS (inches) | | | | | WEIGHT (lbs) |
|-------|------|----------------|---------------------|-------|-------|-------|------|--------------|
| CLAMP | BARB | | A | B | C | D | E | |
| ½" | ¼" | BSVACV-R050025 | 0.218 | 0.187 | 0.312 | 0.972 | 1.50 | 0.250 |
| ½" | ⅜" | BSVACV-R050375 | 0.218 | 0.218 | 0.405 | 0.952 | 1.50 | 0.375 |
| ½" | ½" | BSVACV-R050050 | 0.218 | 0.375 | 0.540 | 0.878 | 1.50 | 0.500 |
| 1" | ⅜" | BSVACV-R100375 | 0.218 | 0.218 | 0.405 | 0.985 | 1.50 | 0.500 |
| 1½" | ¼" | BSVACV-R150025 | 0.218 | 0.187 | 0.312 | 0.987 | 1.50 | 0.500 |
| 1½" | ⅜" | BSVACV-R150375 | 0.218 | 0.218 | 0.405 | 0.985 | 1.50 | 0.500 |
| 2" | ¼" | BSVACV-R200025 | 0.218 | 0.187 | 0.312 | 0.987 | 1.50 | 0.750 |

REPAIR KIT FOR ANGLE SAMPLE VALVE

| PART NUMBER | DESCRIPTION | MATERIAL | QTY. |
|-------------|-------------|----------|------|
| BSVA-RKS | seal | Teflon® | 1 |
| | O-ring | Viton® | 1 |

316L In-line Sample Valve



- all 316L stainless wetted part construction
- standard finish to 20 Ra ID / 32 Ra OD
- Viton® stem seal FDA approved
- fully traceable (material test reports)
- domed virgin Teflon® seat for positive closure
- tapered hygienic clamp connection prevents product back flow when installed in-line
- set screw stop prevents accidental removal of stem from valve body
- black nylon nut cover allows hand operation even with hot products
- minimal internal dead-leg area
- end connections available: clamp and butt weld
- sizes available: 1/2" and 3/4"
- temperature rating: 300°F @ 200 PSI

Note: Not all valves available from stock. * other valves available

| SIZE | | PART NUMBER | DIMENSIONS (inches) | | | | | WEIGHT (lbs) |
|-------|------|----------------|---------------------|-------|-------|-------|-------|--------------|
| CLAMP | BARB | | A | B | C | D | E | |
| 1/2" | 1/4" | BSVICV-R050025 | 0.218 | 0.187 | 0.312 | 3.844 | 1.391 | 0.250 |
| 3/4" | 1/4" | BSVICV-R075025 | 0.218 | 0.187 | 0.312 | 3.844 | 1.391 | 0.250 |

REPAIR KIT FOR IN-LINE SAMPLE VALVE

| PART NUMBER | DESCRIPTION | MATERIAL | QTY. |
|-------------|-------------|----------|------|
| BSVI-RKS | seal | Teflon® | 1 |
| | O-ring | Viton® | 1 |