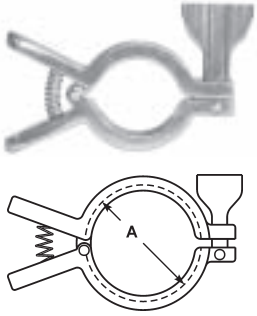


# Clamp Type BS:4825 Part 3 Couplings and Gaskets

Hosequip 01206 231103

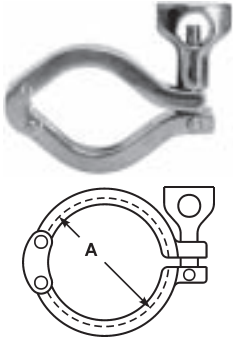
Service ratings are based on hydrostatic tests using standard-molded Buna-N material gaskets, with proper installation of ferrules, assembly of joints and absence of shock pressure. Contact our Hygienic for service of other type and material gaskets, and for ratings at higher temperatures. All ratings shown are dependent upon related components within the systems and proper installation. **For temperatures above 250°F/121°C, we recommend using only 13MHP clamps.** This information is only valid if our clamps, ferrules and gaskets are used.



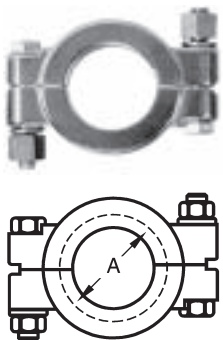
SINGLE PIN SQUEEZE CLAMPS – 13MHHM-Q				
PART NO.	TUBE O.D.	SERVICE PRESSURE RATING (PSI/BAR) @ 70°F/21°C	SERVICE PRESSURE RATING (PSI/BAR) @ 250°F/121°C	DIMENSION A
13MHHM-Q75	1/2" - 3/4"	1500/103	1200/82	26.97
13MHHM-Q100-150	1" - 1 1/2"	500/34	300/20	53.90
13MHHM-Q200	2"	450/31	250/17	67.41
13MHHM-Q250	2 1/2"	400/27	200/13	80.91
13MHHM-Q300	3"	350/24	175/12	94.41
13MHHM-Q400	4"	300/20	150/10	122.43



SINGLE PIN HEAVY DUTY CLAMP – 13MHHM				
PART NO.	TUBE O.D.	SERVICE PRESSURE RATING (PSI/BAR) @ 70°F/21°C	SERVICE PRESSURE RATING (PSI/BAR) @ 250°F/121°C	DIMENSION A
13MHHM50-75	1/2" - 3/4"	1500/103	1200/82	26.97
13MHHM100-150	1" - 1 1/2"	500/34	300/20	53.90
13MHHM200	2"	450/31	250/17	67.41
13MHHM250	2 1/2"	400/27	200/13	80.91
13MHHM300	3"	350/24	175/12	94.41
13MHHM400	4"	300/20	150/10	122.43
13MHHM600	6"	150/10	75/5	170.05
13MHHM800	8"	100/6	50/3.45	220.85



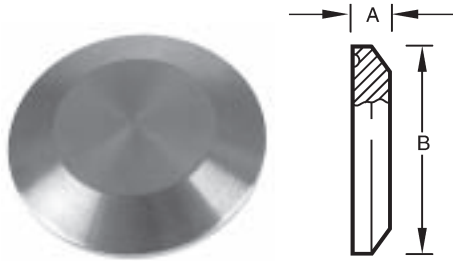
DOUBLE PIN HEAVY DUTY CLAMP – 13MHHM – DP				
PART NO.	TUBE O.D.	SERVICE PRESSURE RATING (PSI/BAR) @ 70°F/21°C	SERVICE PRESSURE RATING (PSI/BAR) @ 250°F/121°C	DIMENSION A
13MHHM-DP100-150	1" - 1 1/2"	500/34	300/20	26.97
13MHHM-DP200	2"	450/31	250/17	53.90
13MHHM-DP250	2 1/2"	400/27	200/13	67.41
13MHHM-DP300	3"	350/24	175/12	80.91
13MHHM-DP400	4"	300/20	150/10	94.41
13MHHM-DP1000	10"	100/6	50/3.45	272.80



HYGIENIC CLAMPS / BOLTED CLAMP – 13MHP				
PART NO.	TUBE O.D.	SERVICE PRESSURE RATING (PSI/BAR) @ 70°F/21°C	SERVICE PRESSURE RATING (PSI/BAR) @ 250°F/121°C	DIMENSION A
13MHP75	1/2" - 3/4"	1500/103	1200/82	26.97
13MHP100-150	1" - 1 1/2"	1500/103	1200/82	53.90
13MHP200	2"	1000/69	800/55	67.41
13MHP250	2 1/2"	1000/69	800/55	80.91
13MHP300	3"	1000/69	800/55	94.41
13MHP400	4"	800/55	600/40	122.43
13MHP600	6"	300/20	200/13	170.05
13MHP800	8"	250/17	150/10	220.85
13MHP1000	10"	200/13	125/8.5	272.80
13MHP1200	12"	150/10	100/6	323.60

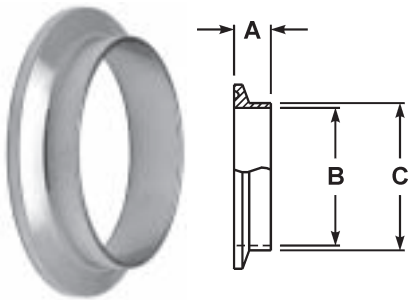
# Clamp Type BS:4825 Part 3 Couplings and Gaskets

Hosequip 01206 231103



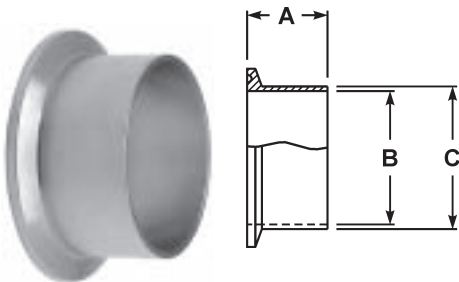
## SOLID FERRULE BLANK DISC END CAPS – 16AMP

PART NO.	TUBE O.D.	DIMENSIONS	
		A	B
16AMP-R50-75	1/2" - 3/4"	4.75	25.20
16AMP-R100-150	1" - 1 1/2"	6.35	50.40
16AMP-R200	2"	6.35	63.91
16AMP-R250	2 1/2"	6.35	77.39
16AMP-R300	3"	6.35	90.91
16AMP-R400	4"	7.92	118.92
16AMP-R600	6"	11.10	166.88
16AMP-R800	8"	11.10	217.68
16AMP-R1000	10"	11.10	266.48
16AMP-R1200	12"	11.10	319.28



## SHORT WELDING FERRULE

PART NO.	TUBE O.D.	DIMENSIONS		
		A	B	C
14WMP-R50	3/4"	12.70	9.40	12.70
14WMP-R75	1/2"	12.70	15.75	19.05
14WMP-R100	1"	12.70	22.10	25.40
14WMP-R150	1 1/2"	12.70	34.80	38.00
14WMP-R200	2"	12.70	47.50	50.80
14WMP-R250	2 1/2"	12.70	60.20	63.50
14WMP-R300	3"	12.70	72.90	76.20
14WMP-R400	4"	15.86	97.60	101.60
14WMP-R600	6"	22.23	146.86	152.40
14WMP-R800	8"	22.23	197.66	203.20
14WMP-R1000	10"	22.23	248.46	254.00
14WMP-R1200	12"	22.23	298.70	304.80

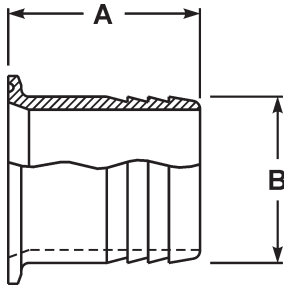


## BUTT WELD FERRULES

PART NO.	TUBE O.D.	DIMENSIONS		
		A	B	C
L14AM7-R50	3/4"	28.56	9.40	12.70
L14AM7-R75	1/2"	28.56	15.75	19.05
L14AM7-R100	1"	28.56	22.10	25.40
L14AM7-R150	1 1/2"	28.56	34.80	38.00
L14AM7-R200	2"	28.56	47.50	50.80
L14AM7-R250	2 1/2"	28.56	60.20	63.50
L14AM7-R300	3"	28.56	72.90	76.20
L14AM7-R400	4"	28.56	97.60	101.60
L14AM7-R600	6"	38.10	146.86	152.40
L14AM7-R800	8"	38.10	197.66	203.20
L14AM7-R1000	10"	44.45	248.46	254.00
L14AM7-R1200	12"	44.45	298.70	304.80

# Clamp Type BS:4825 Part 3 Couplings and Gaskets

Hosequip 01206 231103



CLAMP HOSE TAIL			
PART NO.	TUBE O.D.	DIMENSIONS	
		A	B
14MPHR-R50125	1/2" x 1/8"	31.75	3.18
14MPHR-R5025	1/2" x 1/4"	38.10	6.35
14MPHR-R50375	1/2" x 3/8"	38.10	9.53
14MPHR-R50	1/2" x 1/2"	38.10	12.07
14MPHR-R5075	1/2" x 3/4"	38.10	19.05
14MPHR-R75125	3/4" x 1/8"	38.10	3.18
14MPHR-R7525	3/4" x 1/4"	38.10	6.35
14MPHR-R75375	3/4" x 3/8"	38.10	9.53
14MPHR-R7550	3/4" x 1/2"	38.10	12.07
14MPHR-R75	3/4" x 3/4"	38.10	19.05
14MPHR-R100	1" x 1"	42.88	25.4
14MPHR-R100375	1" x 3/8"	38.10	9.53
14MPHR-R10050	1" x 1/2"	38.10	12.7
14MPHR-R10075	1" x 3/4"	42.88	19.05
14MPHR-R15025	1 1/2" x 1/4"	38.10	6.35
14MPHR-R150375	1 1/2" x 3/8"	38.10	9.53
14MPHR-R15050	1 1/2" x 1/2"	38.10	12.7
14MPHR-R150625	1 1/2" x 5/8"	38.10	15.88
14MPHR-R15075	1 1/2" x 3/4"	38.10	19.05
14MPHR-R150100	1 1/2" x 1"	42.88	25.4
14MPHR-R150125	1 1/2" x 1 1/4"	42.88	31.75
14MPHR-R150	1 1/2" x 1 1/2"	42.88	38.1
14MPHR-R200	2" x 2"	58.72	50.8
14MPHR-R200150	2" x 1 1/2"	58.72	38.1
14MPHR-R250	2 1/2" x 2 1/2"	58.72	63.5
14MPHR-R300	3" x 3"	78.59	76.2
14MPHR-R400	4" x 4"	86.51	101.6
14MPHR-R600	6" x 6"	86.51	152.4
14MPHR-R800	8" x 8"	86.51	203.2

Please Note: All stems are manufactured to suit inch bore hoses (not metric hose bores).



HOLEDALL® CLAMP TYPE EXTERNAL CRIMP STEM	
PART NO.	SIZE
HA0640	1"
HA0641	1 1/2"
HA0642	2"
HA0643	2 1/2"
HA0644	3"

Please Note: All stems are manufactured to suit inch bore hoses (not metric hose bores).

1/2" & 3/4" available on request.

# Clamp Type BS:4825 Part 3 Couplings and Gaskets

Hosequip 01206 231103



## HOLEDALL® CLAMP TYPE EXTERNAL CRIMP FERRULES

PART NO.	SIZE	HOSE OD RANGE (mm)	
		From	To
HA0249-43-3	1"	35.7	36.5
HA0249-45-3	1"	36.9	37.7
HA0249-46-3	1"	38.1	38.9
HA0249-47-3	1"	39.3	40.1
HA0249-48-3	1"	40.5	41.3
HA0250-56-3	1 1/2"	48.4	49.6
HA0250-58-3	1 1/2"	50.0	51.2
HA0250-59-3	1 1/2"	51.6	52.8
HA0250-61-3	1 1/2"	53.2	54.4
HA0251-70-3	2"	62.7	63.9
HA0251-72-3	2"	64.3	65.5
HA0251-74-3	2"	65.9	67.1
HA0251-75-3	2"	67.4	68.7
HA0252-84-3	2 1/2"	76.1	78.1
HA0253-98-3	3"	91.7	92.9
HA0253-100-3	3"	92.1	93.3
HA0253-101-3	3"	93.6	94.9
HA0253-103-3	3"	95.2	96.5
HA0253-105-3	3"	96.8	98.0
HA0253-106-3	3"	98.4	99.6
HA0301-129-5	4"	117.5	118.7
HA0301-130-5	4"	119.0	120.3



## HOLEDALL® CLAMP TYPE INTERNAL EXPANSION (IX) STEM

PART NO.	SIZE
HA0665	1"
HA0666	1 1/2"
HA0667	2"
HA0668	2 1/2"
HA0669	3"

Please Note: All stems are manufactured to suit inch bore hoses (not metric hose bores).

# Clamp Type BS:4825 Part 3 Couplings and Gaskets

Hosequip 01206 231103



HOLEDALL® CLAMP TYPE INTERNAL EXPANSION (IX) FERRULES			
PART NO.	SIZE	HOSE OD RANGE (mm)	
		From	To
HA0259-43-3	1"	35.7	36.5
HA0259-45-3	1"	36.9	37.7
HA0259-46-3	1"	38.1	38.9
HA0259-47-3	1"	39.3	40.1
HA0259-48-3	1"	40.5	41.3
HA0260-56-3	1 1/2"	48.4	49.6
HA0260-58-3	1 1/2"	50.0	51.2
HA0260-59-3	1 1/2"	51.6	52.8
HA0260-61-3	1 1/2"	53.2	54.4
HA0261-70-3	2"	62.7	63.9
HA0261-72-3	2"	64.3	65.5
HA0261-74-3	2"	65.9	67.1
HA0261-75-3	2"	67.4	68.7
HA0262-84-3	2 1/2"	76.1	78.1
HA0263-98-3	3"	91.7	92.9
HA0263-100-3	3"	92.1	93.3
HA0263-101-3	3"	93.6	94.9
HA0263-103-3	3"	95.2	96.5
HA0263-105-3	3"	96.8	98.0
HA0263-106-3	3"	98.4	99.6
HA0303-129-5	4"	117.5	118.7
HA0303-130-5	4"	119.0	120.3
HA0303-132-5	4"	120.6	121.9



BUNA-N BLACK -40°C TO 107°C	
PART NO.	SIZE
42MP-U50	1/2"
42MP-U75	3/4"
40MP-U100	1"
40MP-U150	1 1/2"
40MP-U200	2"
40MP-U250	2 1/2"
40MP-U300	3"
40MP-U400	4"
40MP-U600	6"



VITON® BLACK -29°C TO 204°C	
PART NO.	SIZE
42MP-SFY50	1/2"
42MP-SFY75	3/4"
40MP-SFY100	1"
40MP-SFY150	1 1/2"
40MP-SFY200	2"
40MP-SFY250	2 1/2"
40MP-SFY300	3"
40MP-SFY400	4"

# Clamp Type BS:4825 Part 3 Couplings and Gaskets

Hosequip 01206 231103



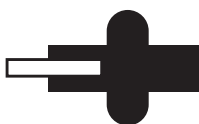
BUNA-N WHITE -40°C TO 107°C	
PART NO.	SIZE
42MP-U50	1/2"
42MP-U75	3/4"
40MP-UW100	1"
40MP-UW150	1 1/2"
40MP-UW200	2"
40MP-UW250	2 1/2"
40MP-UW300	3"
40MP-UW400	4"



TEFLON (SOLID) WHITE -73°C TO 204°C	
PART NO.	SIZE
42MP-G50	1/2"
42MP-G75	3/4"
40MP-G100	1"
40MP-G150	1 1/2"
40MP-G200	2"
40MP-G250	2 1/2"
40MP-G300	3"
40MP-G400	4"



EPDM BLACK -60°C TO 135°C	
PART NO.	SIZE
42MP-E50	1/2"
42MP-E75	3/4"
40MP-E100	1"
40MP-E150	1 1/2"
40MP-E200	2"
40MP-E250	2 1/2"
40MP-E300	3"
40MP-E400	4"



Type 3 Mesh  
1" - 4"

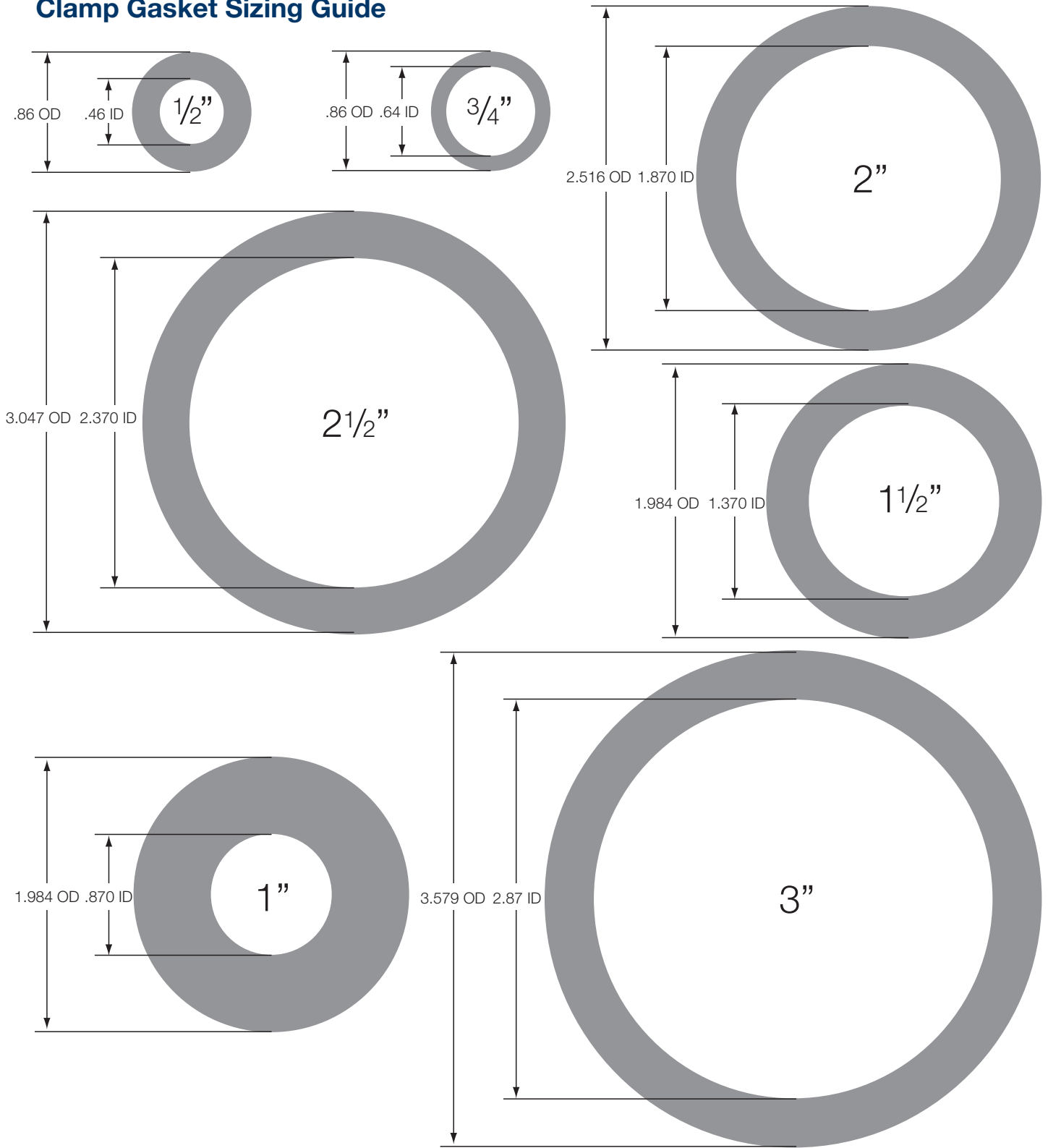
- Color code: one white dot, one yellow dot
- 10 mesh standard. Other mesh sizes available.
- Peroxide cured
- Meets 21CFR 177.2600
- Pharmaceutical class VI approved

EPDM - MESH SCREEN, 316	
PART NO.	SIZE
40MPS-E100	1"
40MPS-E150	1 1/2"
40MPS-E200	2"
40MPS-E250	2 1/2"
40MPS-E300	3"
40MPS-E400	4"

Please Note: Mesh Screen Gaskets are also available in Silicone, Buna and Viton®. 10 Mesh standard.

# Clamp Type BS:4825 Part 3 Couplings and Gaskets

## Clamp Gasket Sizing Guide



HYGIENIC SIZE	OD of CLAMP END	ID of FITTING	HYGIENIC SIZE	OD of CLAMP END	ID of FITTING
1/2"	0.992	0.370	3"	3.579	2.870
3/4"	0.992	0.620	4"	4.682	3.834
1"	1.984	0.870	6"	6.562	5.782
1 1/2"	1.984	1.370	8"	8.602	7.782
2"	2.516	1.870	10"	10.570	9.782
2 1/2"	3.047	2.370	12"	12.570	11.760

# Clamp Type BS:4825 Part 3 Couplings and Gaskets

